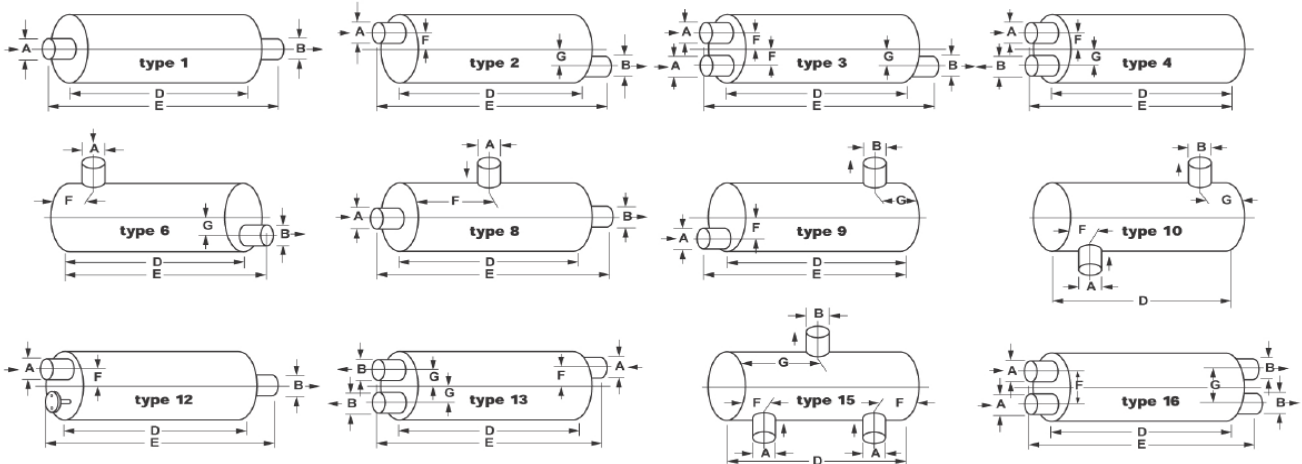


DOC Specification Sheet

Engine Control Systems
 83 Commerce Valley Drive East
 Thornhill Ontario, L3T 7T3
 Phone: 905-707-7746
Fax: 905-707-7686

Name: _____
 Company: _____
 Phone: _____
 Fax: _____
 Email: _____

Note: Please use "fine" resolution when faxing this form



Clock Position

Note: view clock position from inlet end only.



Diameter Note:

2 measurements required for oval configuration **EXAMPLE:**
 X = WIDTH X = 10
 Y = HEIGHT Y = 15

Engine Manufacturer

Engine Model: _____			
Model Year: _____		Displacement: _____	
No. of Cylinders: _____		4-stroke	2-stroke
Fuel _____		Diesel	LPG
		Gasoline	Other
		CNG	
Rated Power: _____		HP	kW
Maximum Speed (rpm:): _____			
Aspiration	NA	Turbo	TA
Fuel Control _____		Mech.	Electronic
Max Exhaust Flow: _____		afm:	0°F/0°C
Max Intake Air: _____		scfm:	

Vehicle Manufacturer

Model: _____	Model Year: _____
Vehicle Type: _____	
Application: _____	

Engine Manufacturer

OEM Part Number: _____		
Other Visible Part Numbers: _____		
Muffler Type: _____		
Body Diameter(s):	x	y
Body Length (D):	Overall Length (E):	
Inlet Diameter (A)	ID	OD
Outlet Diameter (B)	ID	OD
Inlet Clock Position:	Outlet Clock Position:	
Inlet Offset (F):	Outlet Offset (G)	
Length of Inlet from Case: _____		
Length of Outlet from Case: _____		
Muffler Installation:	Vertical	Horizontal

Muffler Information:

Free Standing	Cradle Support
Flange to Flange	Band Straps
Mounting Brackets	Other